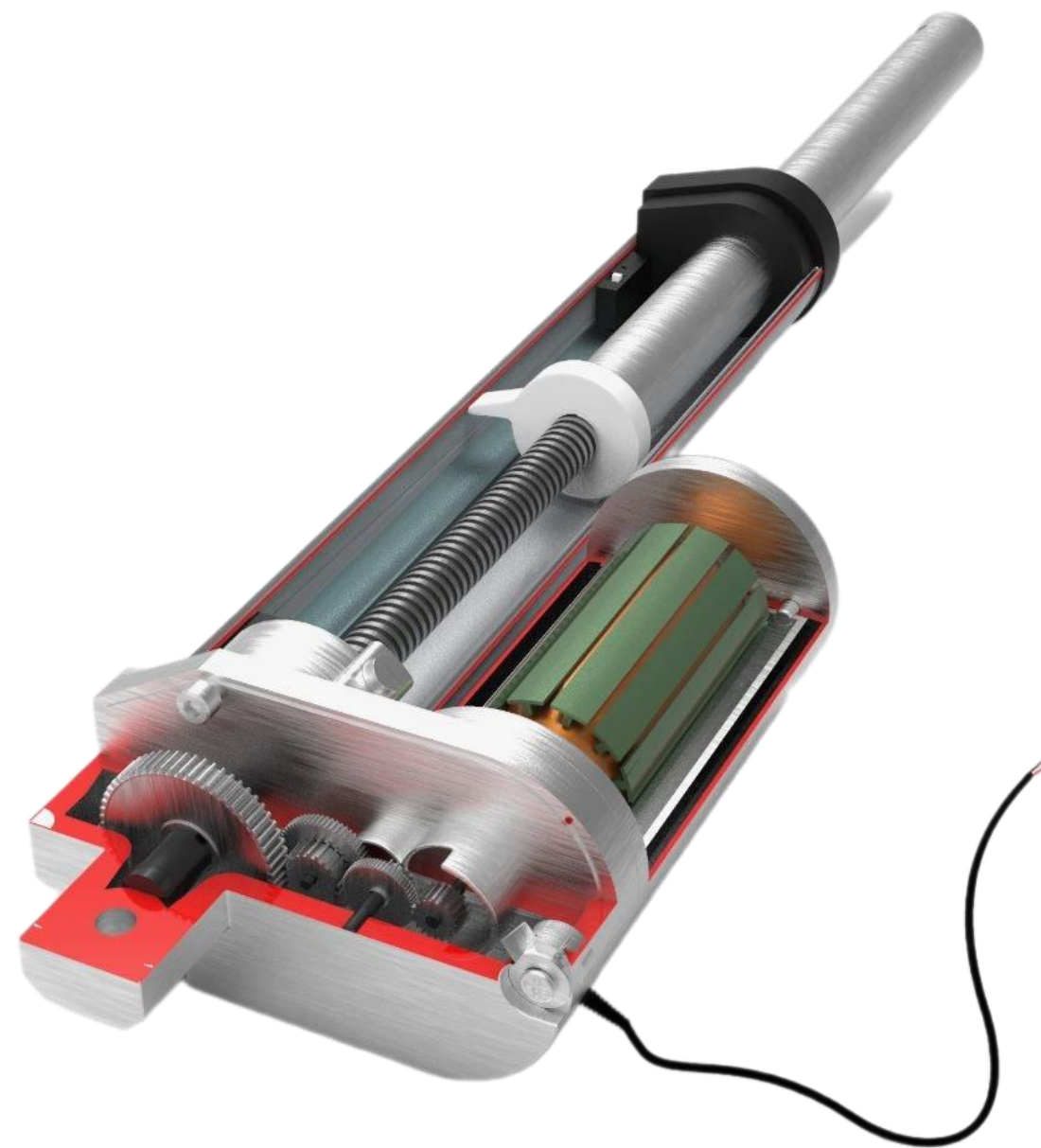
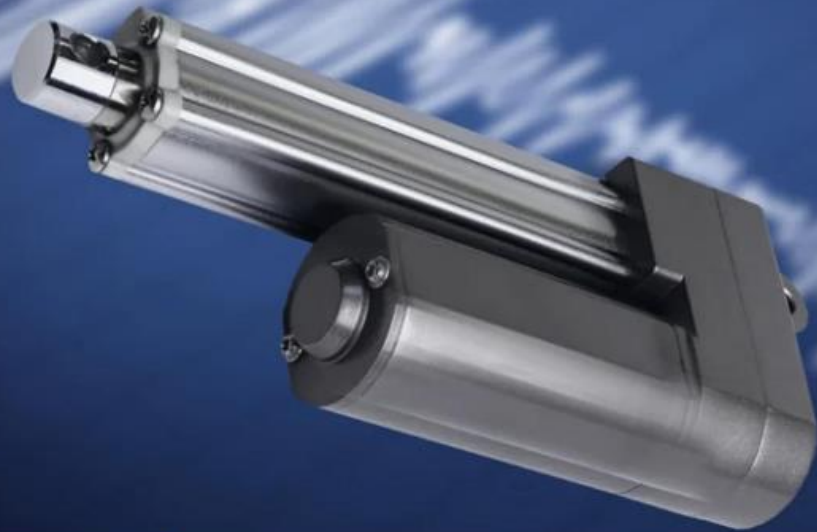




КАТАЛОГ ПРИВОДОВ (АКТУАТОРОВ)





01

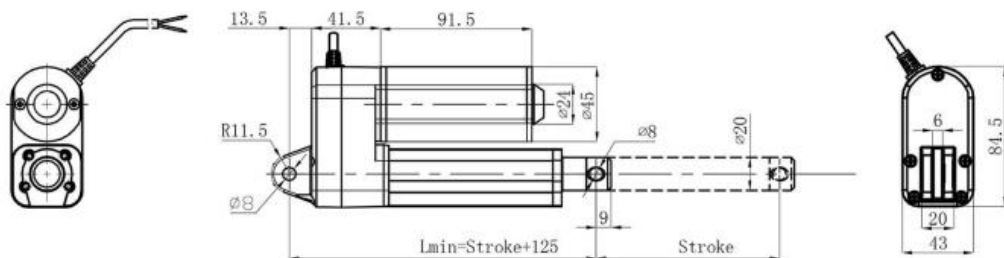
СЕРИЯ МИНИ-ПРИВОДОВ

Наиболее популярная серия приводов, основным преимуществом которых являются небольшие размеры. Также одной из особенностей данной серии приводов является их защита от влаги

Модель FY022



Installation Dimension Built In With/Without Hall



Specifications

Input Voltage	48V / 36V / 24V / 12V DC	Type of Duty	10%, 2min. on / 18min. off
Load Capacity	2000N	Limit Switches	Inner
Speed	7 ~ 20mm/s	Operation Temperature	-15°C ~ 45°C
Stroke	Customize	Protection Class	IP65



01

Серия МИНИ-приводов

СЕРИЯ СТАНДАРТНЫХ ПРИВОДОВ

Стандартные линейные приводы являются наиболее многоцелевыми приводами. Обладают наиболее оптимальным вариантом по соотношению их возможностей и стоимости

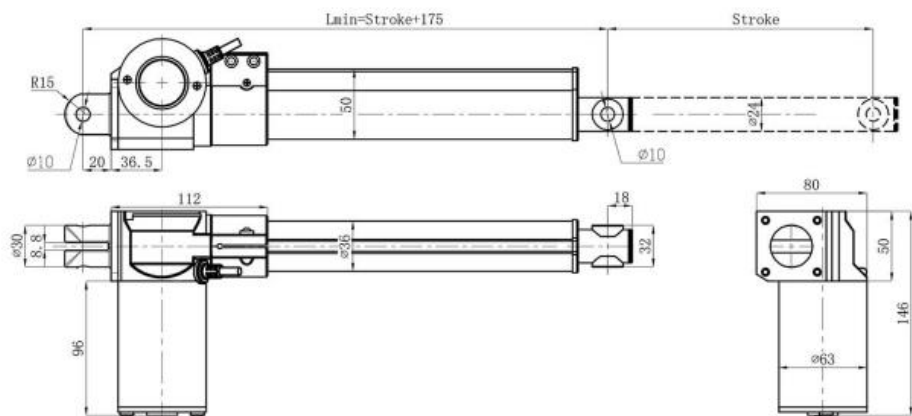
02



Модель FY011



Installation Dimension Built In With/Without Hall



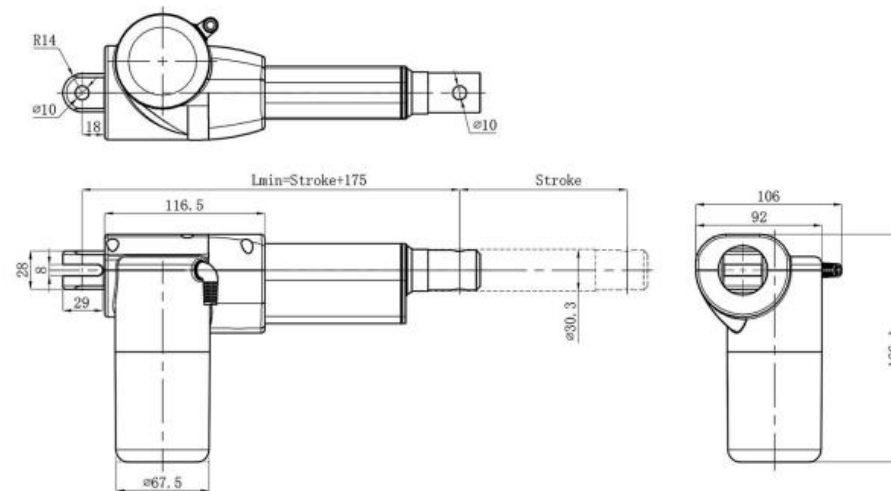
Specifications

Input Voltage	24V / 12V DC	Limit Switches	Inner
Load Capacity	6000N	Operation Temperature	-15°C ~ 45°C Customized
Speed	4 ~ 30mm/s	Color	Black or Gray
Stroke	Customize	Protection Class	IP43
Type of Duty	10%, 2min. on / 18min. off		

Модель FY011D



Installation Dimension Built In With/Without Hall



Specifications

Input Voltage	24V / 12V DC	Type of Duty	10%, 2min. on / 18min. off
Load Capacity	6000N	Limit switches	Inner
Speed	5~36mm/s	Operation Temperature	-15°C ~ 45°C Customized
Stroke	Customize	Color	Black or Gray
Protection Class	IP43		



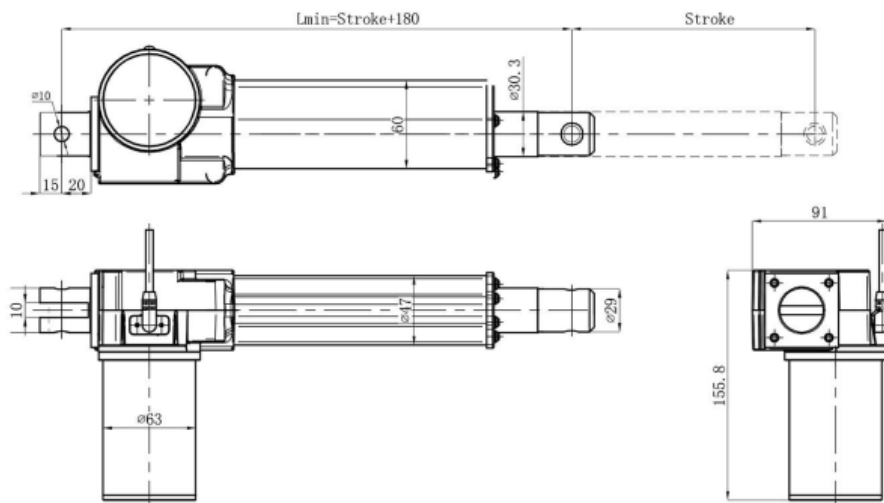
02

Серия стандартных приводов

Модель FY011E



Installation Dimension Built In With/Without Hall



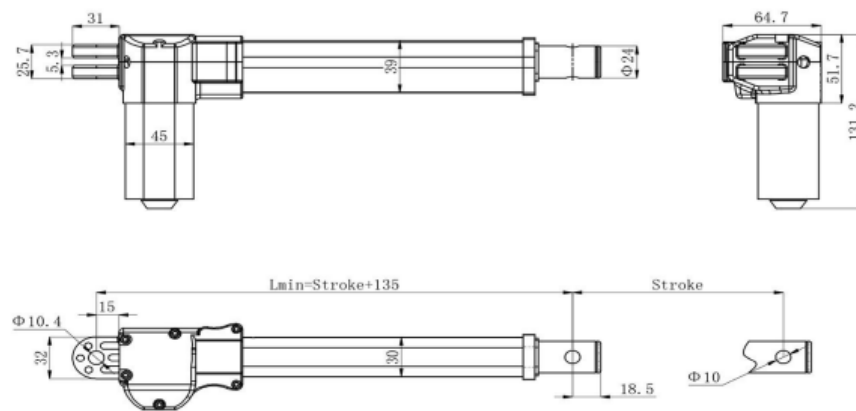
Specifications

Input Voltage	24V/12V DC	Type of Duty	10%, 2min. on / 18min. off
Load Capacity	8000N	Limit Switches	Inner
Speed	4 ~ 36mm/s	Operation Temperature	-15°C ~ 45°C Customized
Stroke	Option	Protection Class	IP67 linear actuator is not in motion

Модель FY011F



Installation Dimension Built In With/Without Hall



Specifications

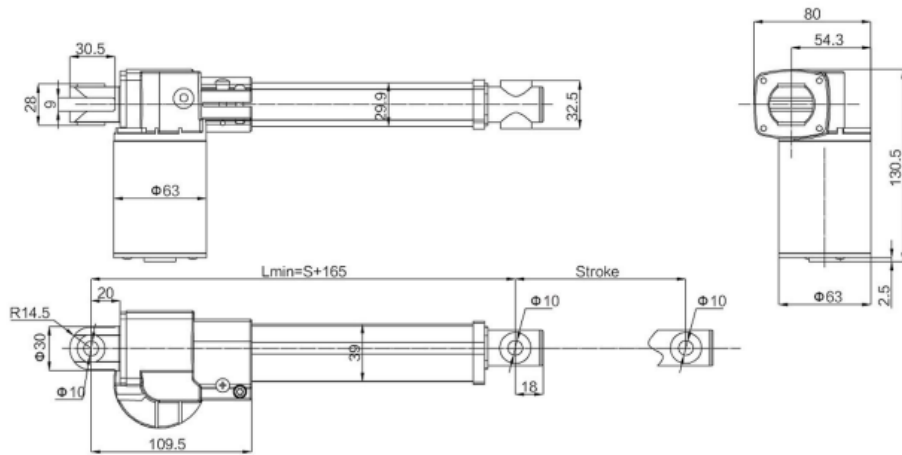
Input Voltage	24V / 12V DC	Type of Duty	10%, 2 min. on / 18 min. off
Load Capacity	3000N	Limit Switches	Inner
Speed	4~30 mm/s	Operation Temperature	-15°C ~ 45°C Customized
Stroke	Option	Protection Class	IP43



Модель FY011G



Installation Dimension



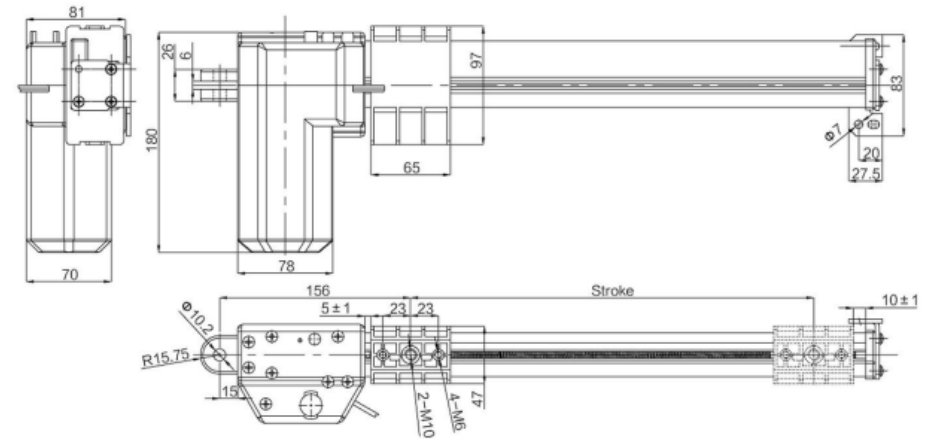
Specifications

Input Voltage	24V / 12V DC	Type of Duty	10%, 2 min. on/18 min. off
Load Capacity	5000N	Limit Switches	Inner
Speed	4~16.5 mm/s	Operation Temperature	-15°C ~ 45°C Customized
Stroke	Option	Protection Class	IP43

Модель FY014



Installation Dimension Built In With/Without Hall



Specifications

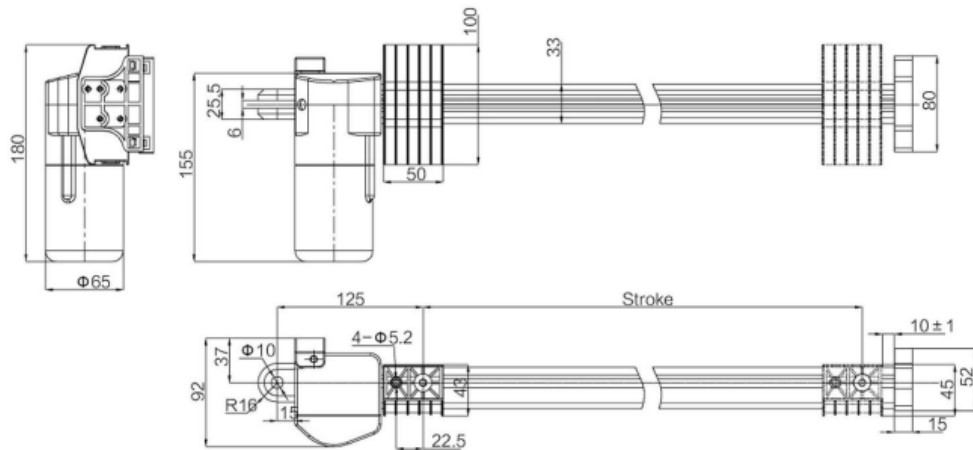
Input Voltage	24V / 12V DC	Type of Duty	10%, 2min. on / 18min. off
Load Capacity	4000N	Limit Switches	Inner
Max Speed	18mm/s(1500N), 35mm/s(750N)	Operation Temperature	-15°C ~ 45°C Customized
Stroke	Customize	Protection Class	IP20



Модель FY014D



Installation Dimension



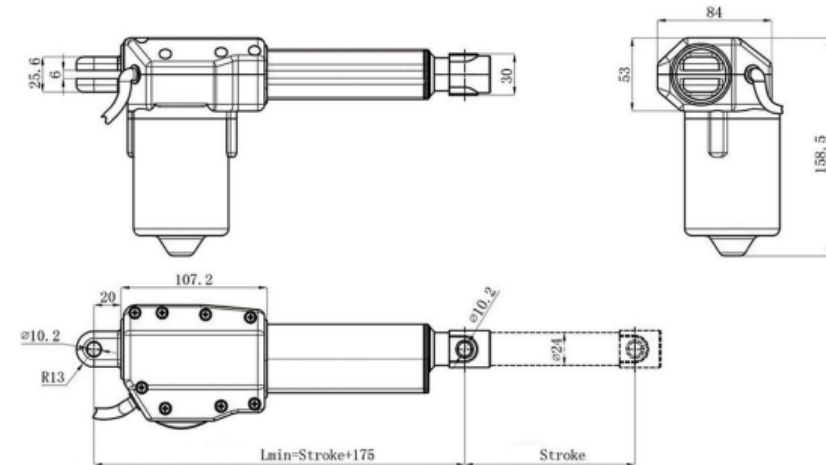
Specifications

Input Voltage	24V / 12V DC	Type of Duty	10%, 2min. on / 18min. off
Load Capacity	1500N	Limit Switches	Inner
Max Speed	16mm/s(1500N), 35mm/s(750N)	Operation Temperature	-15°C ~ 45°C Customized
Stroke	Customize	Protection Class	IP20
Head Fixture	Normal or #2 Iron Sheet		

Модель FY030



Installation Dimension



Specifications

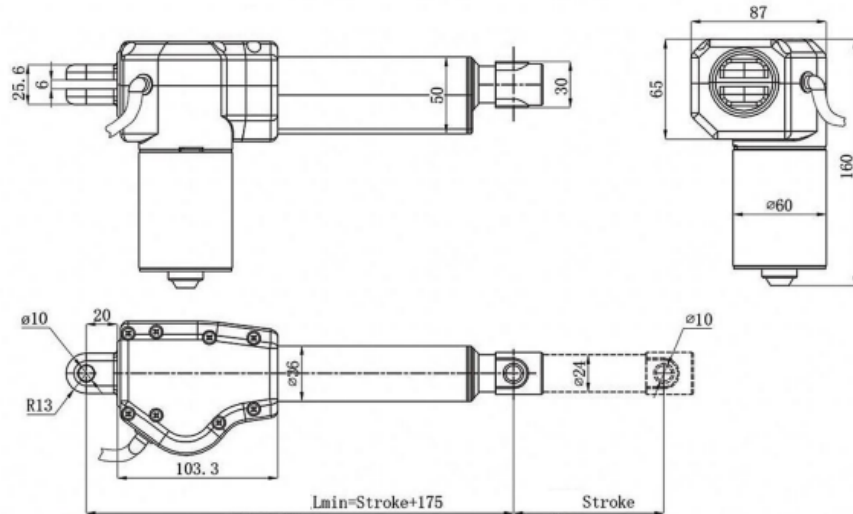
Input Voltage	24V / 12V DC	Limit Switches	Inner
Load Capacity	6000N	Operation Temperature	-15°C ~ 45°C Customized
Speed	4 ~ 30mm/s	Color	Black or Gray
Stroke	Customize	Protection Class	IP65
Type of Duty	10%, 2min. on / 18min. off		



Модель FY031



Installation Dimension



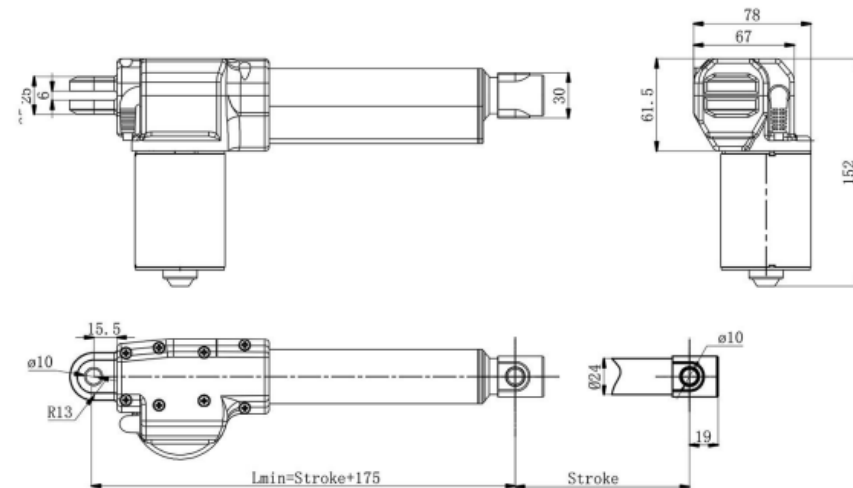
Specifications

Input Voltage	24V / 12V DC	Type of Duty	10%, 2min. on / 18min. off
Load Capacity	6000N	Limit Switches	Inner
Speed	4 ~ 30mm/s	Operation Temperature	-15°C ~ 45°C Customize
Stroke	Customize	Color	Black or Gray
Protection Class	IP43		

Модель FY032



Installation Dimension



Specifications

Input Voltage	24V / 12V DC	Type of Duty	10%, 2min. on / 18min. off
Load Capacity	6000N	Limit Switches	Inner
Speed	4 ~ 30mm/s	Operation Temperature	-15°C ~ 45°C Customized
Stroke	Customize	Color	Black or Gray
Protection Class	IP43		



03

СЕРИЯ МЕДИЦИНСКИХ ПРИВОДОВ

Медицинские линейные приводы играют огромную роль в медицинской отрасли



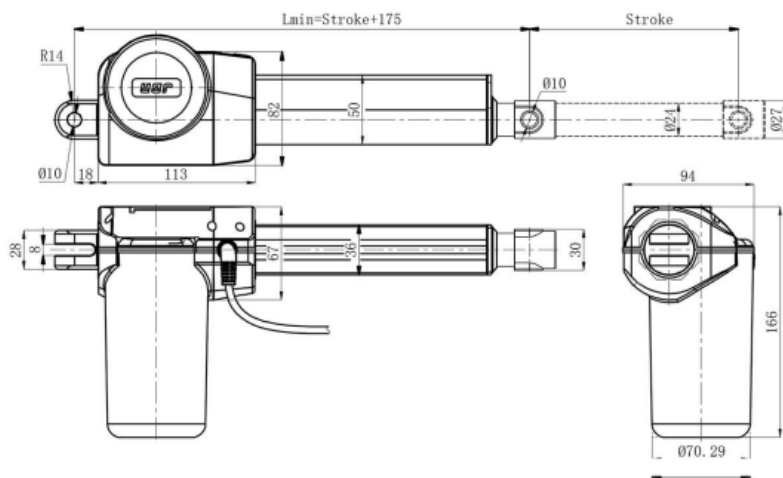
03

Серия медицинских приводов

Модель FY011C



Installation Dimension Built In With/Without Hall



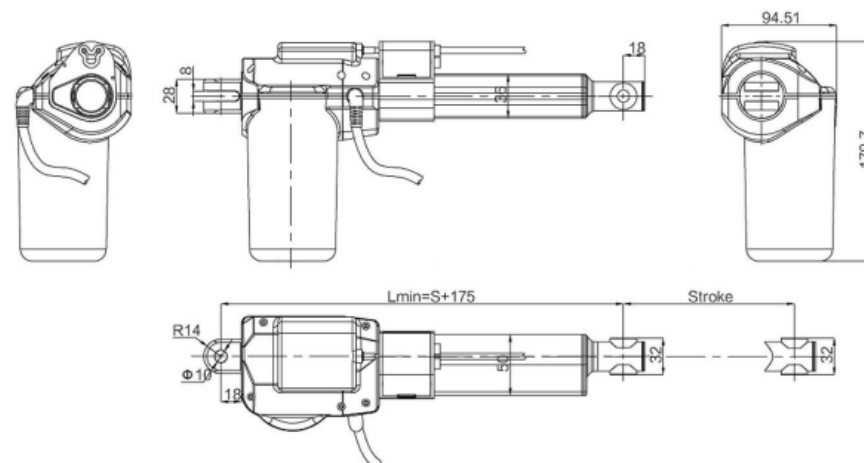
Specifications

Input Voltage	24V / 12V DC	Limit Switches	Inner
Load Capacity	6000N	Operation Temperature	-15°C ~ 45°C Customized
Speed	4 ~ 30mm/s	Color	Black or Gray
Stroke	Customize	Protection Class	IP65
Type of Duty	10%, 2min. on / 18min. off		

Модель FY011CR



Installation Dimension Built In With/Without Hall



Specifications

Input Voltage	24V / 12V DC	Type of Duty	10%, 2min. on / 18min. off
Load Capacity	3500N	Limit Switches	Inner
Speed	7 ~ 13.5mm/s	Operation Temperature	-15°C ~ 45°C Customized
Stroke	Option	Protection Class	IP65



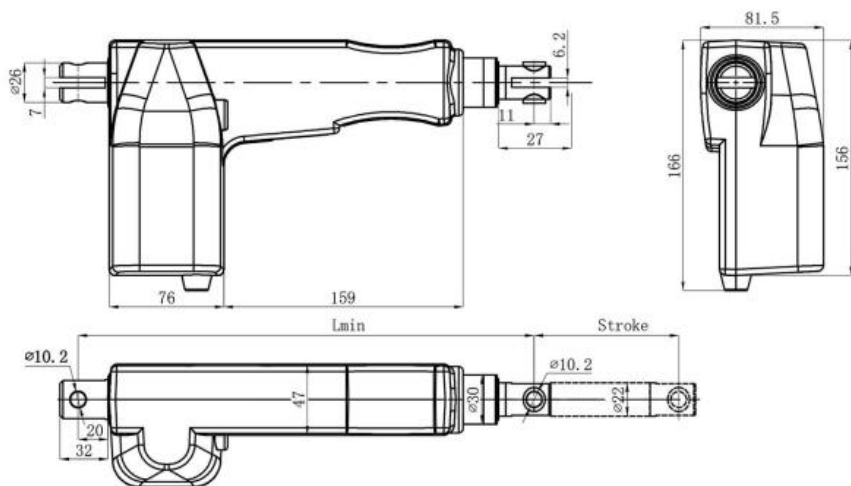
Модель FY012



Installation Dimension

Stroke (mm)	S ≤ 100	S > 100
Lmin (mm)	283	S+175

Lmin=Minimal mounting distance



Specifications

Input Voltage	24V / 12V DC	Type of Duty	10%, 2min. on / 18min. off
Load Capacity	6000N	Limit switches	Inner
Max Speed	4mm/s(6000N), 10mm/s(2000N)	Operation Temperature	-15°C ~ 45°C Customized
Stroke	Customize	Color	Black or Gray
Protection Class	IP54		

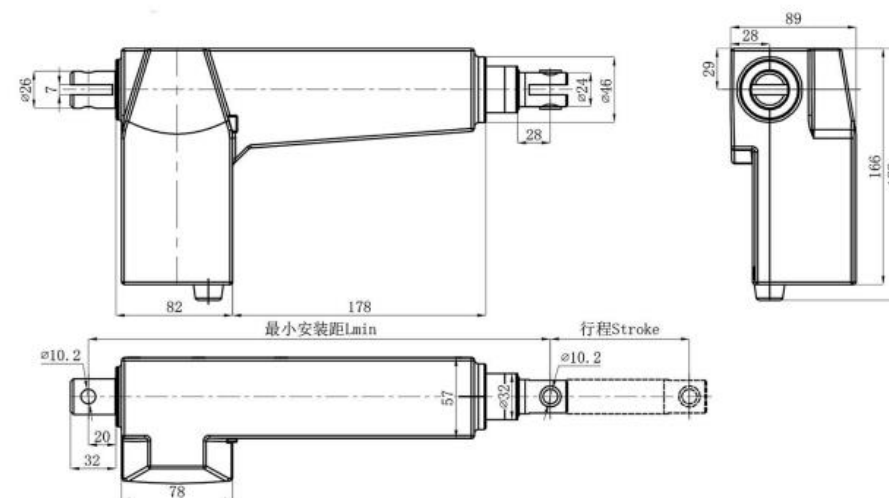
Модель FY013



Installation Dimension

Stroke (mm)	S ≤ 130	S > 130
Lmin (mm)	305	S+175

Lmin=Minimal mounting distance



Specifications

Input Voltage	24V / 12V DC	Type of Duty	10%, 2min. on / 18min. off
Load Capacity	8000N	Limit Switches	Inner
Max Speed	4mm/s(8000N), 6mm/s(6000N)	Operation Temperature	-15°C ~ 45°C Customized
Stroke	Customize	Color	Black or Gray
Protection Class	IP54		



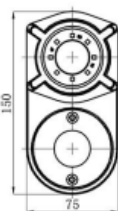
04

СЕРИЯ

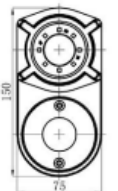
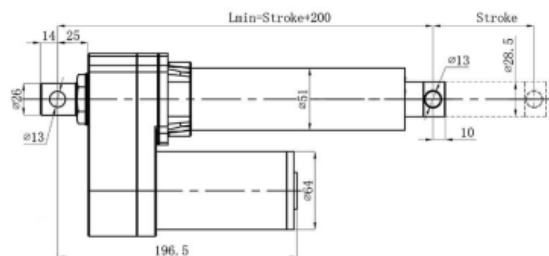
ПРОМЫШЛЕННЫХ ПРИВОДОВ

Промышленные линейные приводы используются в тяжелых условиях. Наши приводы помогут решить самые сложные задачи

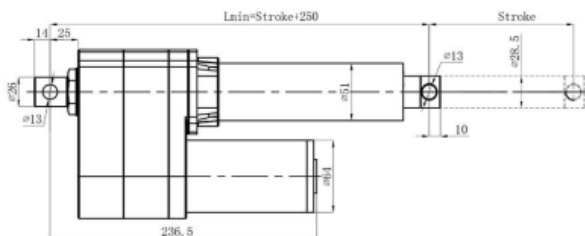
Модель FY015



Installation Dimension



Installation Dimension Built in Potentiometer or Hall (Optional)



Specifications

Input Voltage	72V / 48V / 36V / 24V / 12V DC	Type of Duty	10%, 2min. on / 18min. off
Load Capacity	10000N	Limit Switches	Inner
Max Speed	5mm/s (7000N), 160mm/s (750N)	Operation Temperature	-20°C~65°C Customizable for special temperature
Stroke	Customize		
Protection Class	IP65		

Модель FY015C

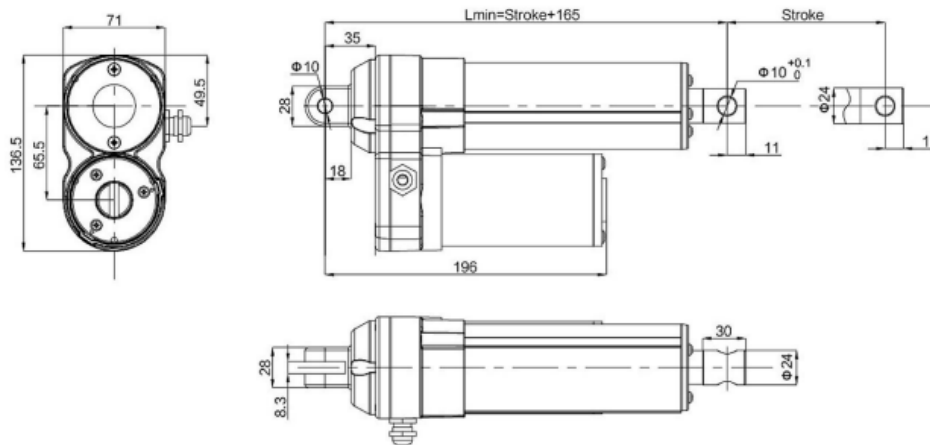


Installation Dimension

Stroke (mm)	50 $S \le 90$	$S > 90$
Lmin (mm)	S+ 185	S+ 165

Lmin=Minimal mounting distance

Installation Dimension



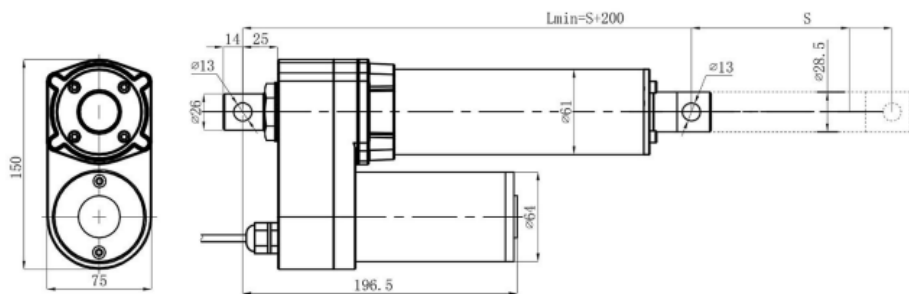
Specifications

Input Voltage	72V/48V/36V/24V /12V DC	Type of Duty	10%, 2min. on / 18min. off
Load Capacity	8000N	Limit Switches	Inner
Speed	7.5 ~ 20 mm/s	Operation Temperature	-15°C ~ 45°C
Stroke	Customizable	Protection Class	IP67

Модель FY015D



Installation Dimension



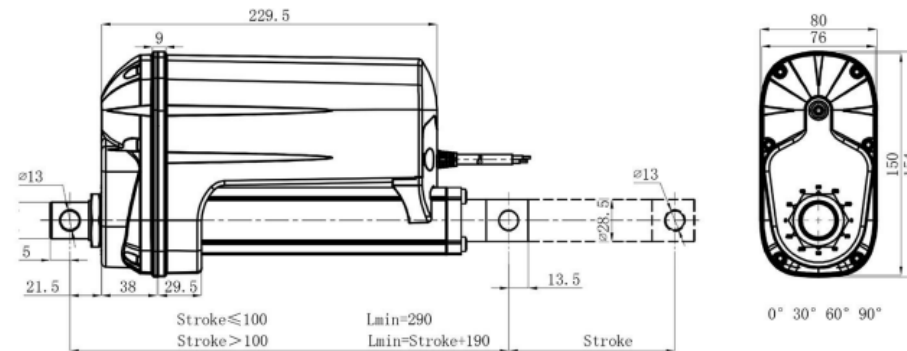
Specifications

Input Voltage	48V DC/24V DC/12V DC	Type of Duty	10%, 2 min. on / 18 min. off
Load Capacity	7000N	Limit switches	Inner
Speed	5~32mm/s	Operation Temperature	-15°C~45°C
Stroke	Customize	Protection Class	IP65

Модель FY020



Installation Dimension Built in Hall Sensor (Optional)



Installation Dimension

Stroke(mm)	$S \leq 100$
Lmin(mm)	290

Specifications

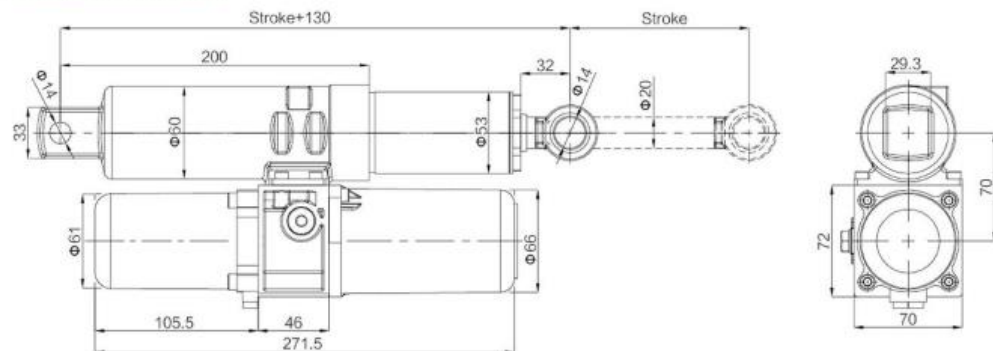
Input Voltage	72V / 48V / 36V / 24V / 12V DC	Type of Duty	10%, 2min. on / 18min. off
Load Capacity	12000N	Limit Switches	Inner
Speed	5~60mm/s	Operation Temperature	-20°C~65°C
Stroke	Customize		Customizable for special temperature
Protection Class	IP66		



Модель FY023



Installation Dimension



Installation Dimension

Stroke(mm)	S ≤ 150	S > 150
Lmin(mm)	280	S + 130

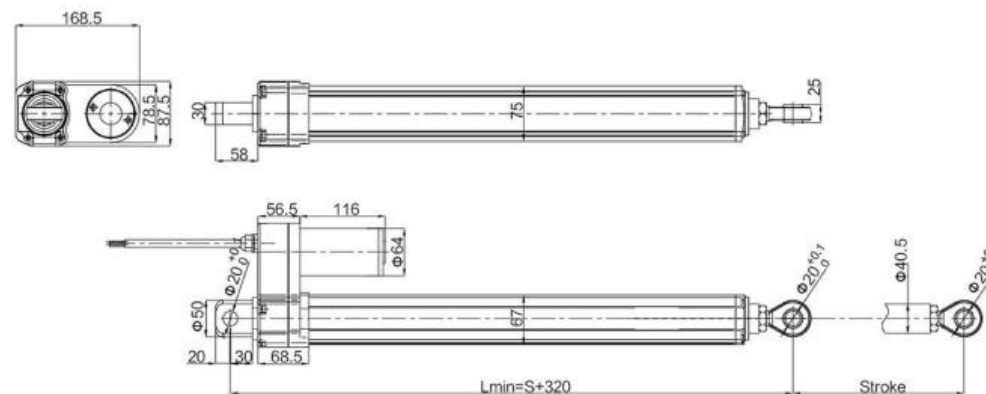
Specifications

Input Voltage	48V / 36V / 24V / 12V DC	Type of Duty	10%, 2min. on / 18min. off
Load Capacity	8000N	Limit Switches	No
Speed	17mm/s	Operation Temperature	-20°C~65°C Customizable for special temperature
Stroke	150~350mm	Protection Class	IP67

Модель FY028



Installation Dimension Built In With/Without Hall



Specifications

Input Voltage	48V / 36V / 24V / 12V DC	Type of Duty	10%, 2 min. on/18 min. off
Load Capacity	16000N	Limit Switches	Inner
Speed	3~8.5 mm/s	Operation Temperature	-20°C~65°C Customizable for special temperature
Stroke	Option		
Protection Class	IP65		



СЕРИЯ

ТРУБЧАТЫХ ПРИВОДОВ

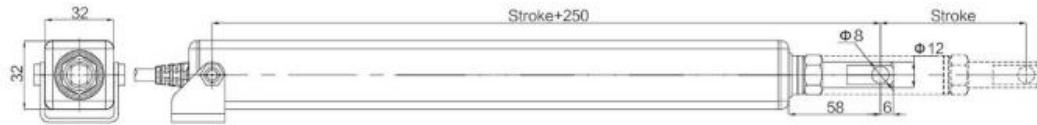
Линейные приводы обычно приобретаются из-за их оптимальных размеров и уникального дизайна

05

Модель FY021



Installation Dimension



Specifications

Input Voltage	48V / 36V / 24V / 12V DC	Type of Duty	10%, 2min. on / 18min. off
Load Capacity	1000N	Overload Protection	Yes
Speed	3 ~ 25mm/s	Operation Temperature	-15°C ~ 45°C
Stroke	Customize	Protection Class	IP54

Модель FY021B



Installation Dimension



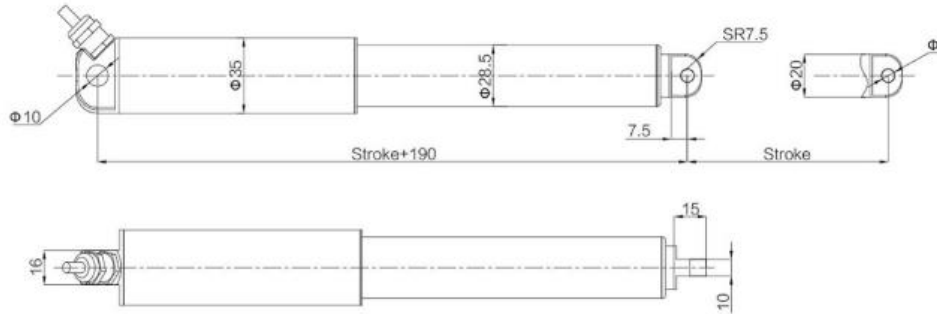
Specifications

Input Voltage	24V / 12V DC	Type of Duty	10%, 2min. on / 18min. off
Load Capacity	120N	Overload Protection	Yes
Speed	8.5mm/s	Operation Temperature	-25°C ~ 65°C
Stroke	Customize	Protection Class	IP65

Модель FY021



Installation Dimension



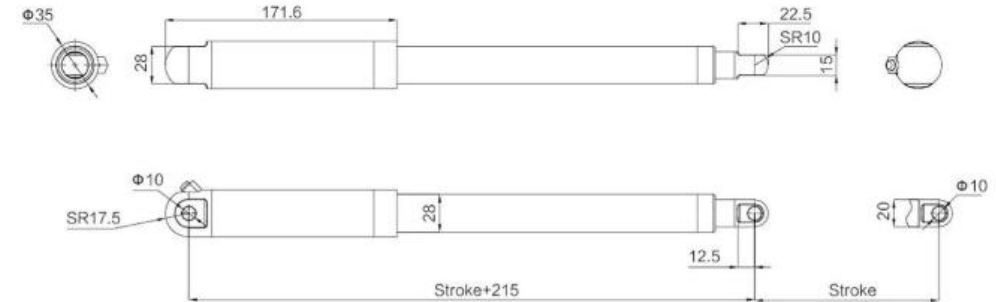
Specifications

Input Voltage	24V DC	Type of Duty	10%, 2min. on / 18min. off
Load Capacity	1800N	Overload Protection	Yes
Speed	5.5mm/s	Operation Temperature	-25°C ~ 65°C
Stroke	Customize	Protection Class	IP65

Модель FY021B



Installation Dimension



Specifications

Input Voltage	24V / 12V DC	Type of Duty	10%, 2min. on / 18min. off
Load Capacity	2000N	Limit Switches	Inner
Speed	4~30mm/s	Operation Temperature	-15°C ~ 45°C
Stroke	Option mm	Protection Class	IP66

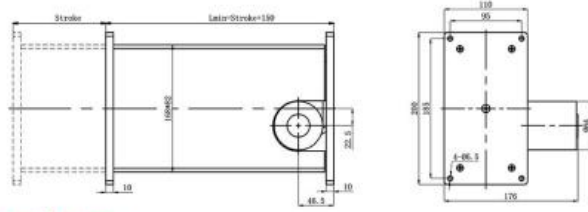


06

СЕРИЯ ПОДЪЕМНЫХ КОЛОНН

Подъемные колонны обычно применяются для изменения высоты столов и больничных кушеток

Модель FY018



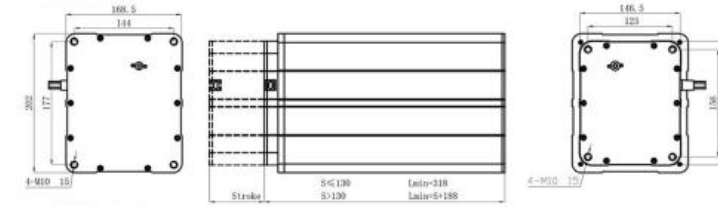
Specifications

Motor Voltage	24V / 12V DC
Load Capacity	6000N
Adjustable Speed	4~30mm/s
Stroke	Customize
Type of Duty	10%, 2min. on / 18min. off
Limit Switches	Inner
Operation Temperature	-15°C ~ 45°C Customized
Color	Black or Gray
Protection Class	IP20

Модель FY018C



Installation Dimension



Installation Dimension

Stroke(mm)	S ≤ 130	S > 130
mini install dimension(mm)	318	S + 188

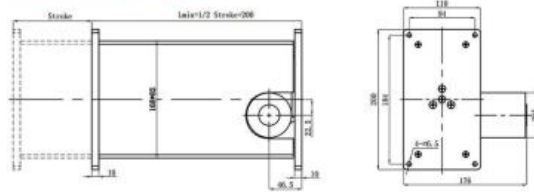
Specifications

Input Voltage	24V / 12V DC
Load Capacity	8000N
Speed	4 ~ 30mm/s
Stroke	Customize
Type of Duty	10%, 2min. on / 18min. off
Limit Switches	Inner
Operation Temperature	-15°C ~ 45°C Customize
Color	Black or Gray
Protection Class	IP43

Модель FY018B



Installation Dimension Build In With/Without Hall



Specifications

Motor Voltage	24V / 12V DC
Load Capacity	2000N
Adjustable Speed	25mm/s(750N), 8mm/s(1500N)
Stroke	Customize
Type of Duty	10%, 2min. on / 18min. off
Limit Switches	Inner
Operation Temperature	-15°C ~ 45°C Customized
Color	Black or Gray
Protection Class	IP20

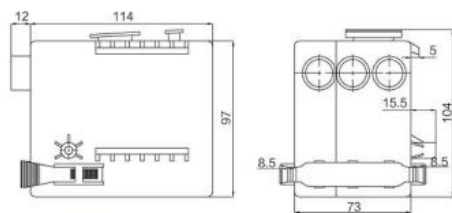
07



БЛОКИ УПРАВЛЕНИЯ

Блоки управления позволяют подключить приводы к электричеству и пультам управления

Модель FYK01



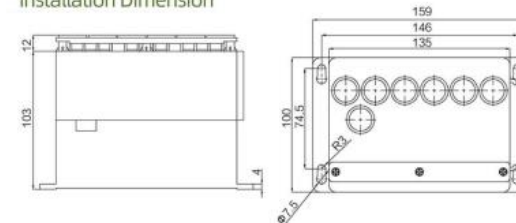
Specifications

Input Voltage	110V/220V/100-240V AC 50/60HZ
Output Voltage	24V DC
Output Power	50VA
Type of Duty	10%, 2 min. on / 18 min. off
Overload Protection	Yes
Backup Battery(Optional)	Yes
Operation Temperature	-15°C ~ 45°C Customized
Protection Class	IP43
Wireless Control	Control 2 pcs actuators
Can control 1-4 linear actuator	

Модель FYK016



Installation Dimension



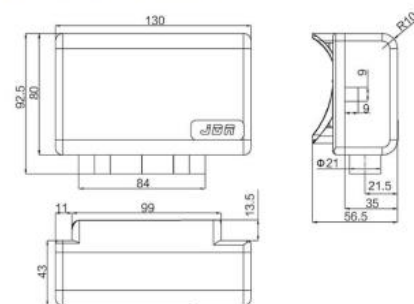
Specifications

Input Voltage	110V / 220V AC 50/60Hz
Output Voltage	24V DC
Output Power	86VA
Type of Duty	10%, 2 min. on / 18 min. off
Overload Protection	Yes
Operation Temperature	-15°C ~ 45°C Customized
Protection Class	IP43
Wireless Control	Yes
Can control 1-5 linear actuator	

Модель FYK013



Installation Dimension



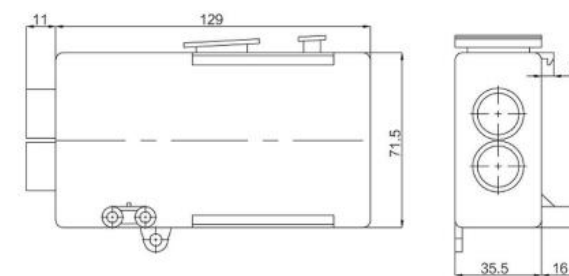
Specifications

Input Voltage	24V DC
Output Voltage	24V DC
Type of Duty	10%, 2 min. on / 18 min. off
Operation Temperature	-15°C ~ 45°C
Protection Class	IP43
Can control 1-3 linear actuator (Needing adapter)	

Модель FYK018



Installation Dimension



Specifications

Input Voltage	100-240V AC50/60Hz
Output Voltage	24V DC, 2.0A
Type of Duty	10%, 2 min. on / 18 min. off
Overload Protection	Yes
Operation Temperature	-15°C ~ 45°C Customized
Protection Class	IP43
Control 1 pc actuator	

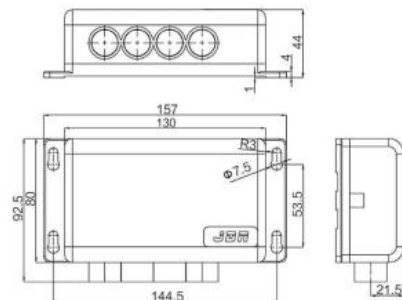


07

Модель FYK019A



Installation Dimension



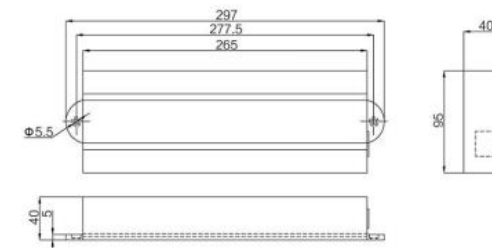
Specifications

Input Voltage	24V DC
Output Voltage	24V DC
Type of Duty	10%, 2 min. on / 18 min. off
Operation Temperature	-15°C ~ 45°C Customized
Protection Class	IP43
Can control 1-3 linear actuator (Needing adapter)	

Модель FYK021



Installation Dimension



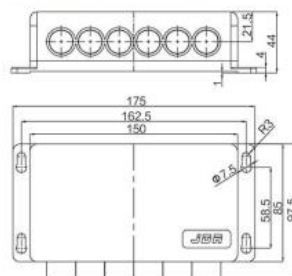
Specifications

Input Voltage	12 / 24V DC
Output Voltage	12 / 24V DC
Type of Duty	Max 10%, MaxT_on:2min
Operation Temperature	-15°C ~ 45°C Customized
High-power controller, which can connect four motors to work synchronously	

Модель FYK019B



Installation Dimension



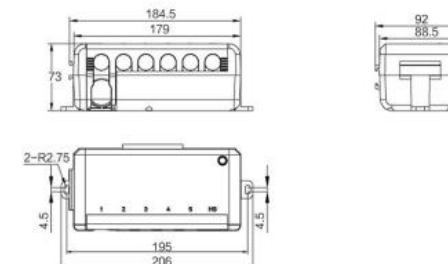
Specifications

Input Voltage	24V DC
Output Voltage	24V DC
Type of Duty	10%, 2 min. on / 18 min. off
Operation Temperature	-15°C ~ 45°C Customized
Protection Class	IP43
Wireless Control	Yes
Can control 1-5 linear actuator (Needing adapter)	

Модель FYK023



Installation Dimension



Specifications

Push Rod Quantity	1-5 PCS
Input Voltage	100-240V AC
Output Voltage	29V DC
Colour	Black or White
Overload Protection	Yes
Protection Class	IP65

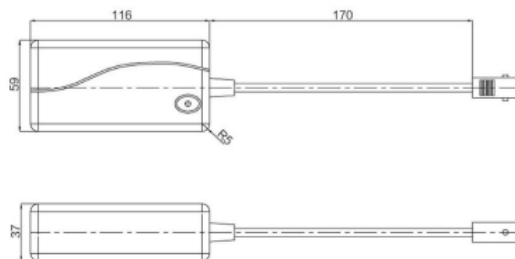


07

Модель FYK017A



Installation Dimension



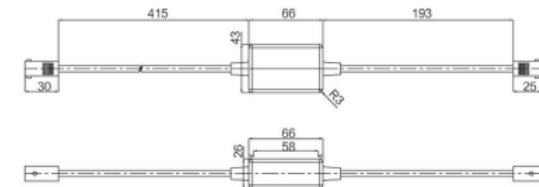
Specifications

Input Voltage	100-240V AC, 50/60Hz, 1.5A
Output Voltage	29V DC, 2.0A
Type of Duty	Max 10%, MaxT_on: 2min
Operation Temperature	-15°C ~ 45°C Customized

Модель FYK022



Installation Dimension



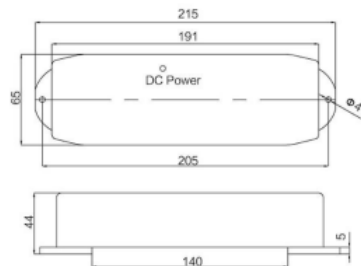
Specifications

Input Voltage	24V DC
Output Voltage	24V DC
Type of Duty	Max 10%, MaxT_on: 2min
Operation Temperature	-15°C ~ 45°C Customized
Wireless Control	Yes
Needing adapter	

Модель FYK017B



Installation Dimension



Specifications

Input Voltage	100-240V AC50/60Hz
Output Voltage	29V DC, 2.0A
Type of Duty	Max 10%, MaxT_on: 2min
Backup Battery(Optional)	Yes
Operation Temperature	-15°C ~ 45°C Customized

КОНТРОЛЛЕРЫ

Упрощают процесс управления
электрическими приводами



08



FYFT01



FYFT02



FYFT03



FYH011



FYH018



FYH019



FYH020



FYH021



FYH012



FYH013



FYH013-W



FYH013-USB



FYH024



FYH026



FYH026-W



FYH028



FYH014



FYH014-W



FYH014B



FYH015



FYH032B



FYH032C



FYH033



FYH033B



FYH015B



FYH015-W



FYH017A



FYH017B



FYH034



FYH036



FYH044



FYH052

НАШИ КОНТАКТЫ



8 800 555 36 20

звонок по России бесплатный



info@rayler.ru



115230, г. Москва, ул. Хлебозаводский проезд, д. 7, стр. 9,
БЦ "Калейдоскоп", офис 12